

Hydro Dynamics, Inc.

Harnessing the Power of Cavitation



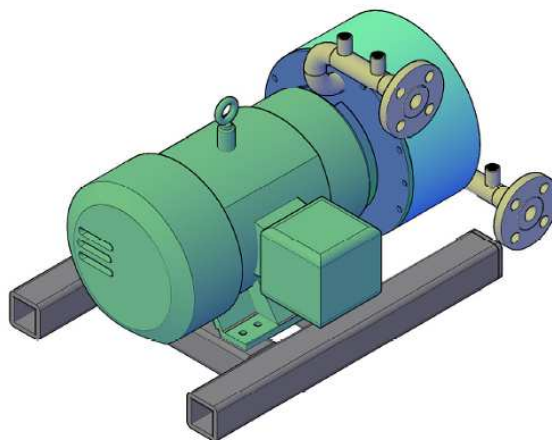
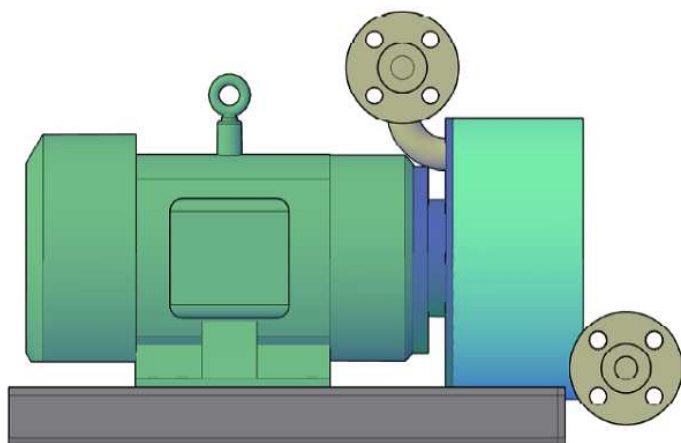
Laboratory ShockWave Power Reactor

The components of the Lab SPR include:

- Stainless Steel 8"x2" SPR
 - Min throughput: 0.25 gpm (1 L)
 - Max throughput: 5 gpm (20 L)
 - Max pressure: 150 psig
 - Max temp: 250°F
- One 7.5 Hp, TEFC motor
- VFD rated at 460 VAC, 3600 RPM, 60 Hz
- Piping connections with 150# flanges
- Type 21 seal
- Viton elastomers
- Wheeled skid
- Touch screen control panel (optional)
- Operations manual on CD
- Startup assistance
- 1 year warranty



New Lower Price! Contact Us!



www.hydrodynamics.com